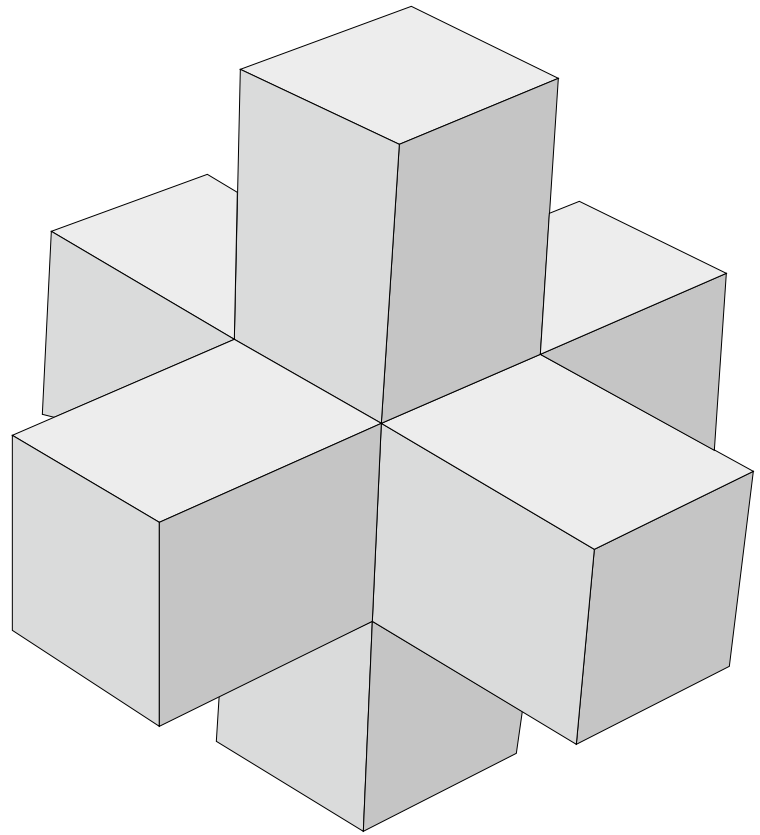


# “Casse-Tete Diabolique”

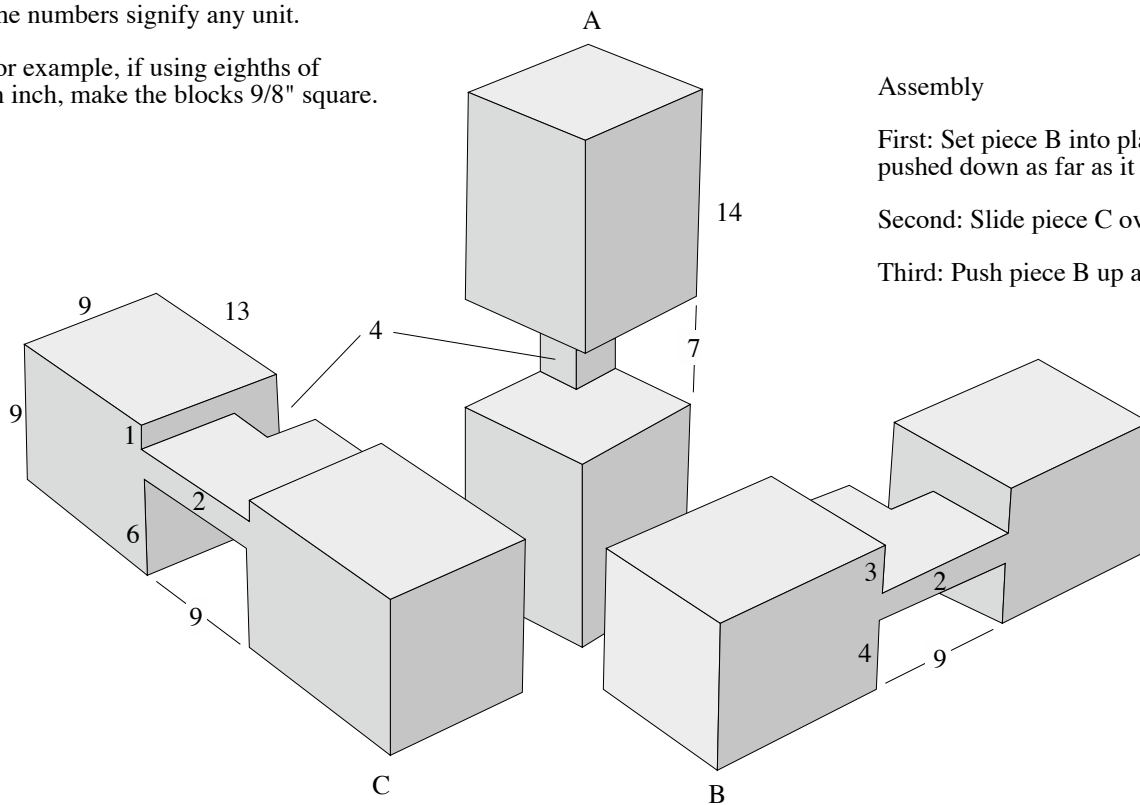
from The Woodwright’s Shop

Roy Underhill © 2005



The numbers signify any unit.

For example, if using eighths of an inch, make the blocks 9/8" square.



## Assembly

First: Set piece B into place on piece A, pushed down as far as it will go.

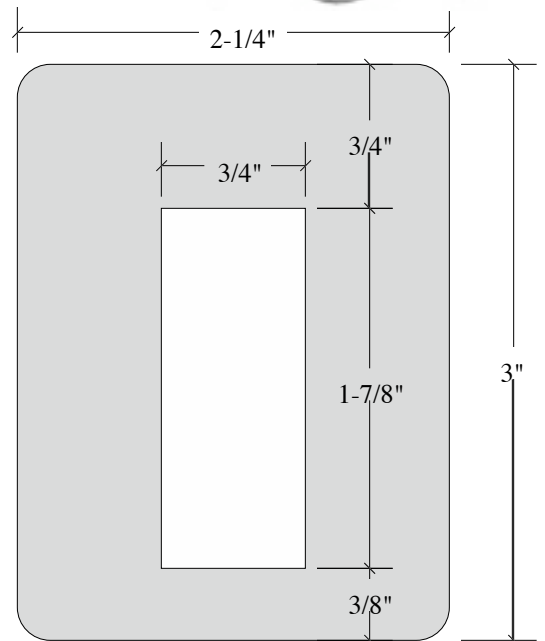
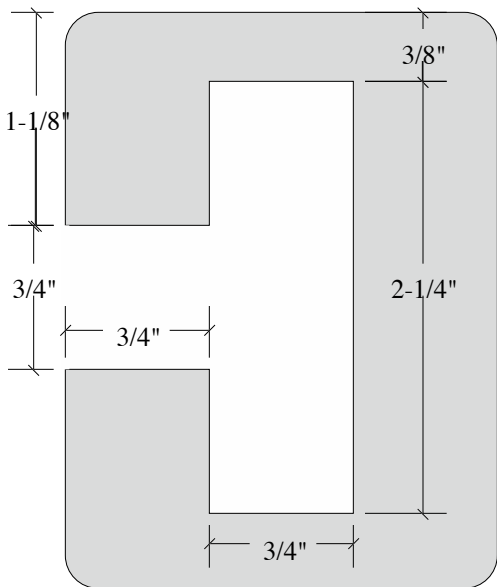
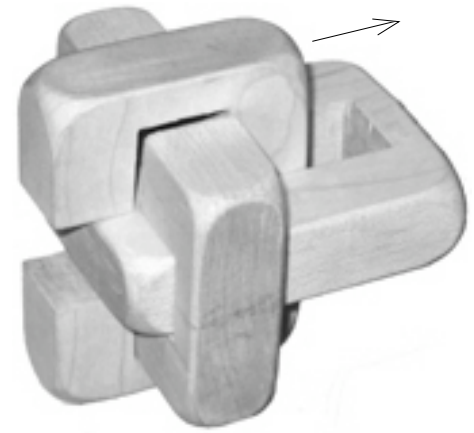
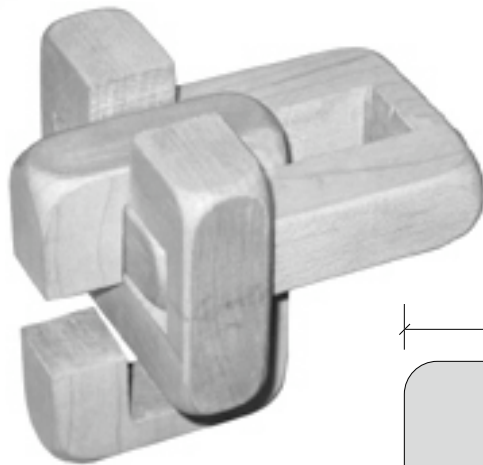
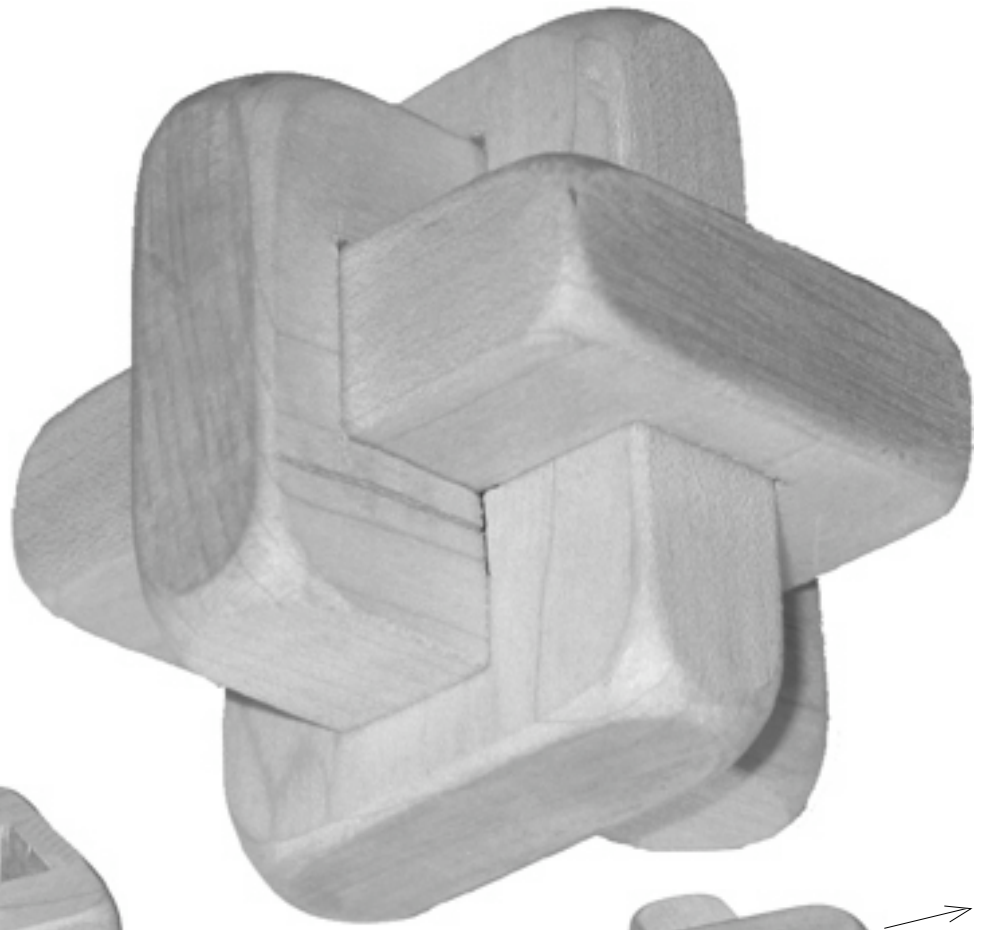
Second: Slide piece C over B into the gap.

Third: Push piece B up and even with C.

# “Der Holzknoten”

from The Woodwright's Shop

Roy Underhill © 2005

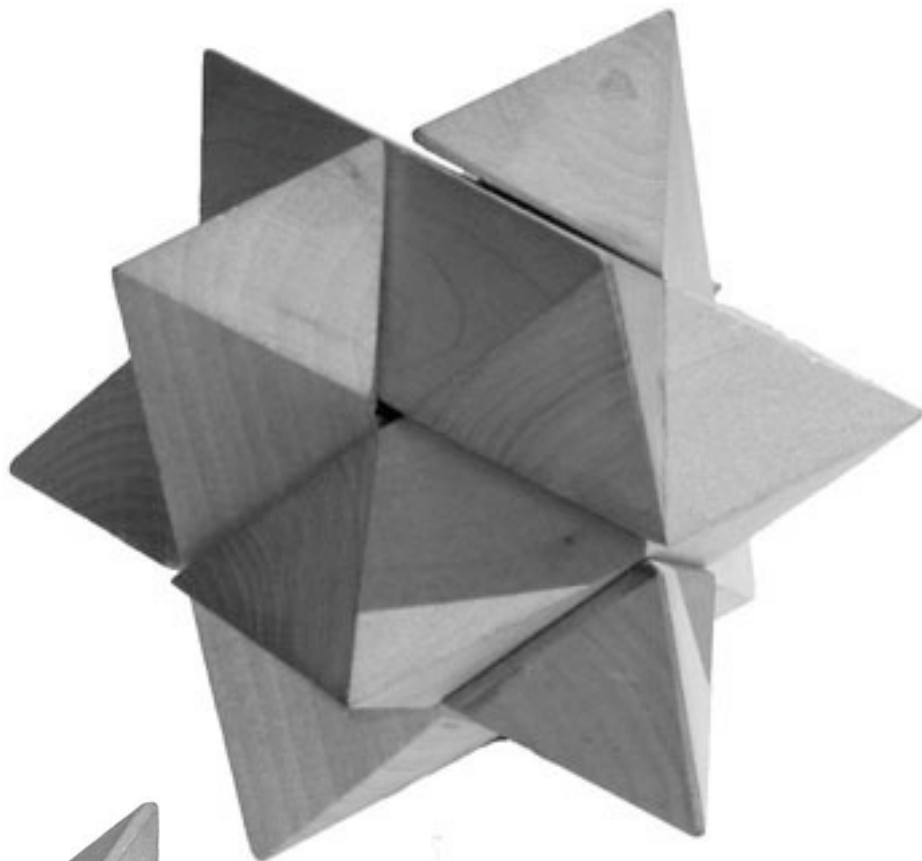


← Make two like this out of 3/4" maple, beech, or birch, and one like this. →

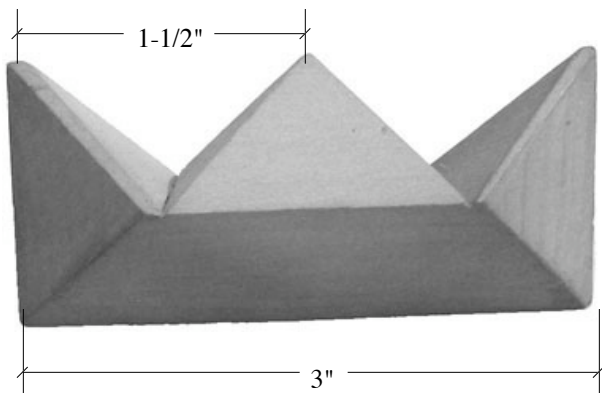
# “Casse Tete Americain”

from The Woodwright's Shop

Roy Underhill © 2005



Six pieces out of one inch square stock



Form two sub-assemblies as shown,  
held in each hand.



Push the two together!

